



ELIT

Air-termination pole $\varnothing 42\text{-}\varnothing 16\text{mm}$ 6.5m 135° A4

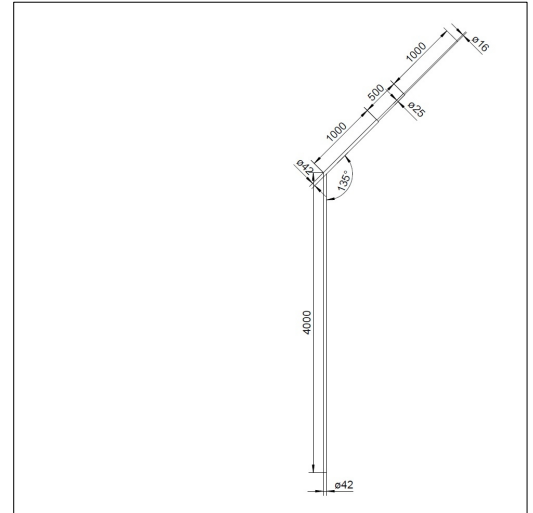
Angled air-termination pole in 135 degrees $\varnothing 42\text{-}16\text{mm}$ made of stainless A4 steel (acid-resistant)

Technical description

Air-termination pole (part 1): 4.0 m, $\varnothing 42$ mm
Air-termination rod (part 2): 2.5 m, $\varnothing 42/25/16\text{mm}$, 135-degree angle
Material: Stainless A4 steel, acid-resistant
Manufactured according to DIN EN62561-2.

Advantages:

Angled air-termination pole in acid-proof A4 steel
This is a custom product



Product name/ Art.nr/ GTIN	ELIT LOF6500-4216-135°-6,5m-A4/ 40150202/ 7070810036516
According to:	DIN EN62561-2
Length	6500 Millimetre
Diameter	42 - 16 Millimetre
Model	Interception rod chamfered
Material	Stainless steel 316 (V4A)
Surface protection	Hot-dip galvanized
Connection	Round conductor